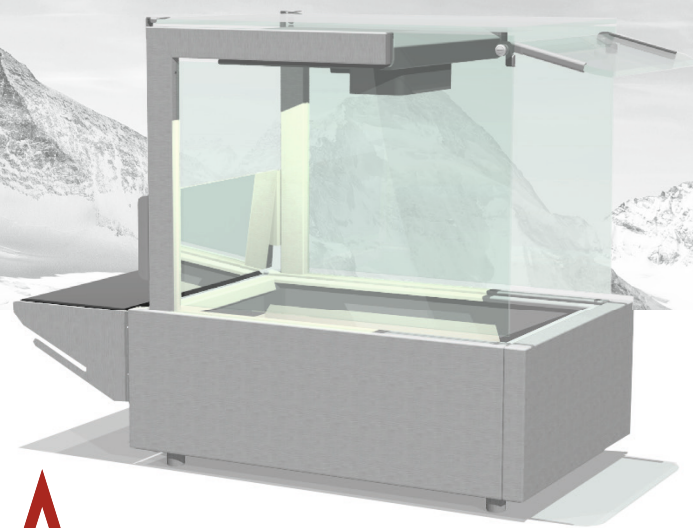


Food perfectly presented

BEER⁺



QUADRO HOT

Practical and good in a square design – the perfect solution for hot food



The flexible solution for your food presentation

Experience the perfect combination of appealing design and intelligent technology with the Quadro Hot food dispensing showcase. Present your warm convenience food in the best quality and light, any time of day. With individually controllable upper and lower heat for each GN tray and four different climate settings, the Quadro Hot allows for targeted and flexible food presentation.

The sales-promoting LED lighting makes your food even more appetizing, and the compact design allows flexible integration into any daily concept. The clear and targeted controls ensure easy operation, and the optional self-service function offers your customers an additional experience.

The Quadro Hot food dispensing showcase – your perfect solution for take-away, bakery, butchery, petrol station, or kiosk areas directly at the sales front.

Your benefits

- ❑ Set top and bottom heat individually for each GN field
- ❑ Portable system for use anywhere
- ❑ Flexible integration into your daily routine
- ❑ Compact food showcase for smallest sales areas
- ❑ The add-on mirror can be stowed in the cutting-board console
- ❑ 4 types of climate for each GN field to suit various food selections: warm & dry, warm & humid/steamy, neutral or on crushed ice
- ❑ Optionally available with cutting board
- ❑ Optional colour finish to suit your colour scheme
- ❑ Optional water replenishing reminder incl. buzzer
- ❑ Wide selection of accessories to suit varying food selections, from breakfast to evening snacks





QUADRO HOT

Practical and good in a square design

Technical data

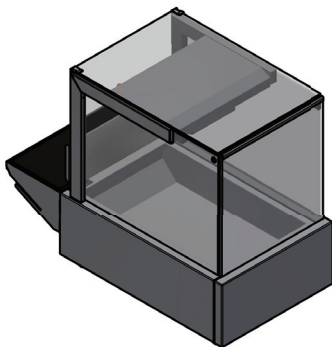
Quadro Hot – tabletop model

Size	Image	Inserts of	Dimensions mm (W x D* x H)	Glass structure type	Connection values	Plug
GN 1/1-40		GN inserts to max. depth of 40 mm	398 x 584/784 x 552	square	230 V / 1000 W / 4.4 A	type 12 / Schuko
GN 1/1-100		GN inserts to max. depth of 100 mm	398 x 584/784 x 612	square	230 V / 1000 W / 4.4 A	type 12 / Schuko
GN 2/1-40		GN inserts to max. depth of 40 mm	738 x 584/784 x 552	square	230 V / 2000 W / 8.7 A	type 12 / Schuko
GN 2/1-100		GN inserts to max. depth of 100 mm	738 x 584/784 x 612	square	230 V / 2000 W / 8.7 A	type 12 / Schuko

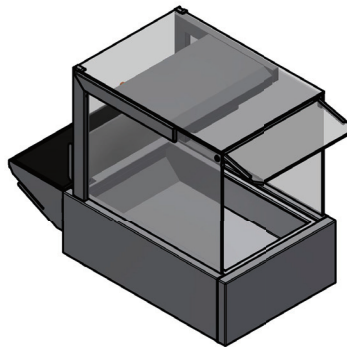
*Dimensions without/with cutting board on operator side

Quadro Hot GN 2/1, two different climates are possible

with front glass



with cough protection



The basic unit price includes either a front glass or a cough protection. Please specify the desired option when ordering.

Food perfectly presented

BEER

Beer Grill AG

Allmendstrasse 7
CH-5612 Villmergen

Phone +41 (0)56 618 78 00
Fax +41 (0)56 618 78 49

Beer Grill GmbH

Körnerstrasse 14a
D-79539 Lörrach

Phone +49 (0)7161 659 876
Fax +49 (0)7161 659 879

info@beergrill.com
www.beergrill.com